

Pressure gauge

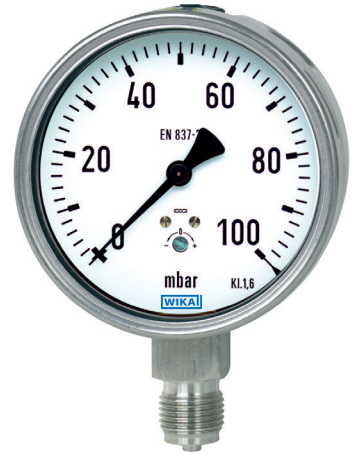
low pressure design, stainless steel serie 2860

case dim 100 or 160 mm

E 02.17.01

Ed.23.01

| | |
|--------------------------------|---|
| Application | Industrial pressure gauge for low pressure in stainless steel version. Suitable for aggressive media and environments |
| Design | EN 837-3 |
| Type | Serie 2860 |
| WIKA model | 632.50 |
| Case size | Nominal size dim 100 or 160 mm |
| Accuracy | Class 1,6% |
| Case | Stainless steel with bayonet ring |
| Window | Laminated safety glass |
| Pressure element | Stainless steel 316L |
| Movement | Stainless steel |
| Dial | Aluminium, white with black lettering |
| Pressure unit | mbar, Pa, kPa, mmvp or psi |
| Pressure connection | G3/8", G1/2" or 1/2"NPT male |
| Zero adjustment | Zero adjustment through window |
| Mounting | Lower or back mount, also with back flange, front flange or triangular bezel with clamp |
| Ingress protection | IP 54 acc.to EN 60529/IEC 529 |
| Pressure limitation | Full scale value by steady pressure 90% of full scale value by fluctuating pressure |
| Permissible temperature | Medium temperature max -40 till +100°C Ambient temperature max -40 till +60° C |
| Certificates | Certificate EN 10204 can be delivered as options Test report wetted parts EN 10204-2.2 Inspection certificate wetted parts EN 10204-3.1 |
| Calibration | Option with accredited calibration with calibration certificate according to ISO/IEC 17025:2018 (SWEDAC) |
| Production options | ATEX protection c with device cat 2G/2D Design acc.to NACE Sour Gas Service Accuracy cl 1,0% in pressure ranges from 0-40 mbar Design Degreased for oxygen services Dial with colored sectors or with customer logo |



2860
Lower mount



2861
Back mount



2865
Lower mount
back flange



2867
Back mount
front flange



2868
Back mount
bezel and clamp



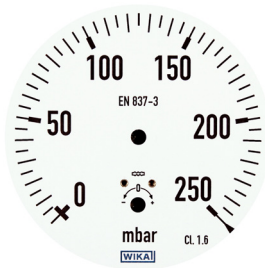
2869
Lower mount
front flange

Pressure gauge

low pressure design, stainless steel serie 2860

case dim 100 mm

E 02.17.01



| Pressure range | Interval | Divisions |
|----------------|----------|-----------|
| 0-16 mbar | 0,5 | 32 |
| 0-25 mbar | 0,5 | 50 |
| 0-40 mbar | 1,0 | 40 |
| 0-60 mbar | 1,0 | 60 |
| 0-100 mbar | 2,0 | 50 |
| 0-160 mbar | 5,0 | 32 |
| 0-250 mbar | 5,0 | 50 |
| 0-400 mbar | 10,0 | 40 |
| -16/0 mbar | 0,5 | 32 |
| -25/0 mbar | 0,5 | 50 |
| -40/0 mbar | 1,0 | 40 |
| -60/0 mbar | 1,0 | 60 |
| -100/0 mbar | 2,0 | 50 |
| -160/0 mbar | 5,0 | 32 |
| -250/0 mbar | 5,0 | 50 |
| -400/0 mbar | 10,0 | 40 |

Accuracy

Max permissible error 1,6%

The accuracy is expressed as a percentage of full scale range. Permissible error 1,6% will cover 0% till 100% of scale range with a reference temperature of +20°C.

Ex. Pressure range 0-10 bar has an error of $\pm 1,6$ mbar

Temperature effect

Temperature of the measuring system over or under the reference temperature +20°C will effect the accuracy with 0,4 percentage per +10°C. With a medium temperature of +40°C the accuracy will be $\pm 2,8\%$.

Unit mbar

Low pressure in mbar

10 mbar = 0,01 bar

10 mbar = 100 mmvp

10 mbar = 1000 Pa = 1 kPa

Alternative design

Overpressure and vaccum safe

10 times overpressure safe from range 0-40 mbar

3 times overpressure safe in ranges < 0-40 mbar

10 times vacuum safe from range 0-40 mbar

3 times vacuum safe in ranges < 0-40 mbar

Liquid filled case

Option with liquid filled case IP 65 (from 0-60 mbar)

Type 2960 datasheet E02.17.02

Test gauge

Pressure gauge for testing and calibration 0,6%

Type 612.20 datasheet PM 06.09

With electrical contact

One or two electrical contact mounted in the case

Max- and/or minfunction







Type PGS43 datasheet PV 24.03

Pressure gauge

low pressure design, stainless steel serie 2860

case dim 100 mm

E 02.17.01

| Code number Case dim 100 mm |  |  |  |  |  |  |
|--------------------------------|---|---|---|---|---|---|
| Type nr | 2860 | 2860 | 2865 | 2865 | 2869 | 2869 |
| Mounting | Lower | Lower | Back flange | Back flange | Front flange | Front flange |
| Connection | G3/8 | G1/2 | G3/8 | G1/2 | G3/8 | G1/2 |
| 0-16 mbar | 28603520 | 28604520 | 28653520 | 28654520 | 28693520 | 28694520 |
| 0-25 mbar | 28603522 | 28604522 | 28653522 | 28654522 | 28693522 | 28694522 |
| 0-40 mbar | 28603524 | 28604524 | 28653524 | 28654524 | 28693524 | 28694524 |
| 0-60 mbar | 28603525 | 28604525 | 28653525 | 28654525 | 28693525 | 28694525 |
| 0-100 mbar | 28603526 | 28604526 | 28653526 | 28654526 | 28693526 | 28694526 |
| 0-160 mbar | 28603527 | 28604527 | 28653527 | 28654527 | 28693527 | 28694527 |
| 0-250 mbar | 28603528 | 28604528 | 28653528 | 28654528 | 28693528 | 28694528 |
| 0-400 mbar | 28603529 | 28604529 | 28653529 | 28654529 | 28693529 | 28694529 |
| 0-600 mbar | 28603530 | 28604530 | 28653530 | 28654530 | 28693530 | 28694530 |
| -16/0 mbar | 28603553 | 28604553 | 28653553 | 28654553 | 28693553 | 28694553 |
| -25/0 mbar | 28603554 | 28604554 | 28653554 | 28654554 | 28693554 | 28694554 |
| -40/0 mbar | 28603555 | 28604555 | 28653555 | 28654555 | 28693555 | 28694555 |
| -60/0 mbar | 28603556 | 28604556 | 28653556 | 28654556 | 28693556 | 28694556 |
| -100/0 mbar | 28603557 | 28604557 | 28653557 | 28654557 | 28693557 | 28694557 |
| -160/0 mbar | 28603558 | 28604558 | 28653558 | 28654558 | 28693558 | 28694558 |
| -250/0 mbar | 28603559 | 28604559 | 28653559 | 28654559 | 28693559 | 28694559 |
| -400/0 mbar | 28603560 | 28604560 | 28653560 | 28654560 | 28693560 | 28694560 |
| -600/0 mbar | 28603561 | 28604561 | 28653561 | 28654561 | 28693561 | 28694561 |
| -20+40 mbar | 28603575 | 28604575 | 28653575 | 28654575 | 28693575 | 28694575 |
| -20+80 mbar | 28603587 | 28604587 | 28653587 | 28654587 | 28693587 | 28694587 |
| -30+30 mbar | 28603576 | 28604576 | 28653576 | 28654576 | 28693576 | 28694576 |
| -40+20 mbar | 28603577 | 28604577 | 28653577 | 28654577 | 28693577 | 28694577 |
| -40+60 mbar | 28603588 | 28604588 | 28653588 | 28654588 | 28693588 | 28694588 |
| -50+50 mbar | 28603580 | 28604580 | 28653580 | 28654580 | 28693580 | 28694580 |
| -50+200 mbar | 28603584 | 28604584 | 28653584 | 28654584 | 28693584 | 28694584 |
| -60+100 mbar | 28603579 | 28604579 | 28653579 | 28654579 | 28693579 | 28694579 |
| -100+100 mbar | 28603582 | 28604582 | 28653582 | 28654582 | 28693582 | 28694582 |
| -100+150 mbar | 28603586 | 28604586 | 28653586 | 28654586 | 28693586 | 28694586 |
| -100+300 mbar | 28603589 | 28604589 | 28653589 | 28654589 | 28693589 | 28694589 |
| -100+500 mbar | 28603585 | 28604585 | 28653585 | 28654585 | 28693585 | 28694585 |
| -150+250 mbar | 28603583 | 28604583 | 28653583 | 28654583 | 28693583 | 28694583 |
| -200+200 mbar | 28603590 | 28604590 | 28653590 | 28654590 | 28693590 | 28694590 |
| -250+150 mbar | 28603578 | 28604578 | 28653578 | 28654578 | 28693578 | 28694578 |

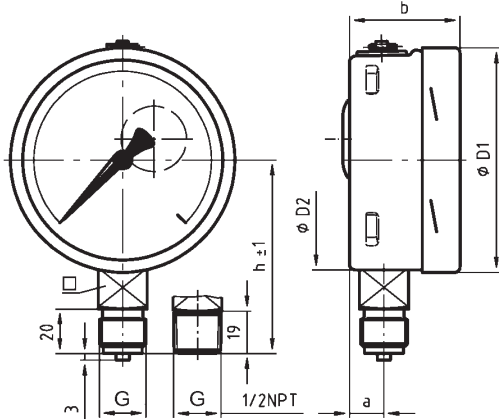
Pressure gauge

low pressure design, stainless steel serie 2860

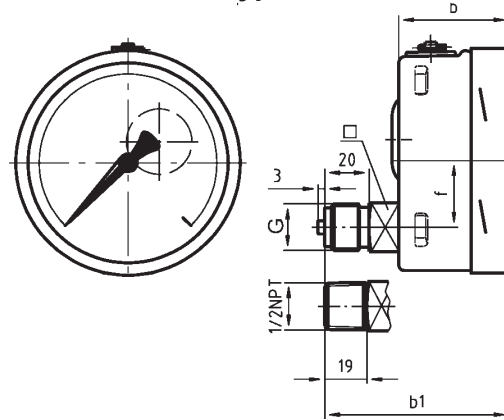
case dim 100 mm

E 02.17.01

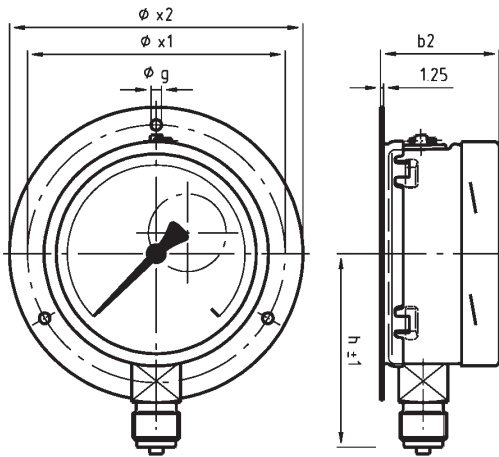
Type 2860



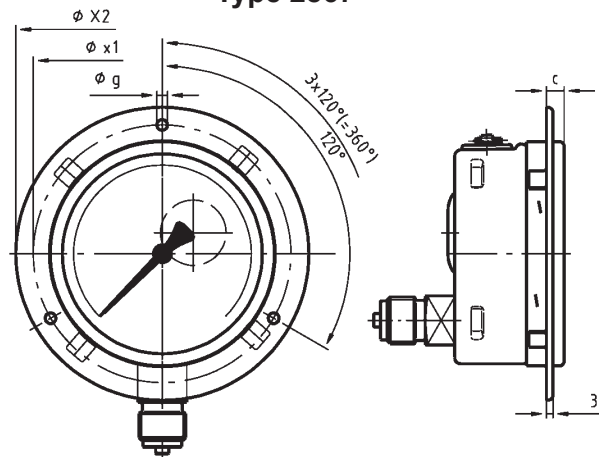
Type 2861



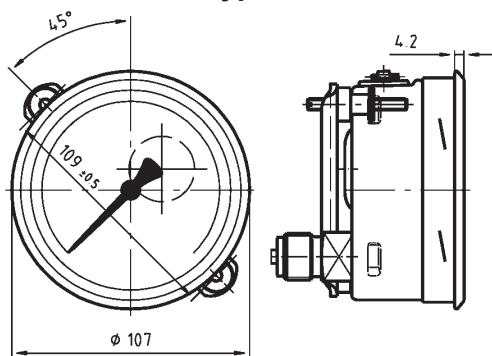
Type 2865



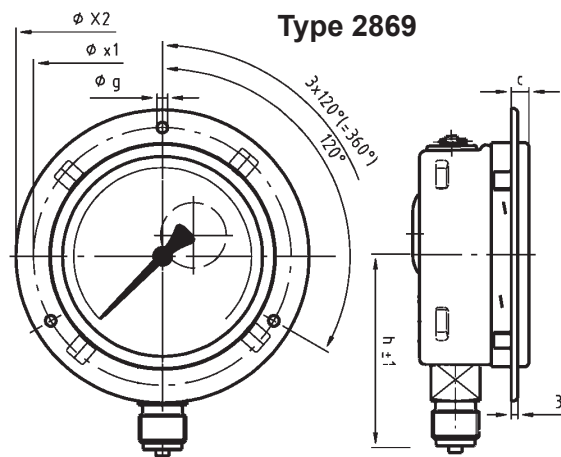
Type 2867



Type 2868



Type 2869



| Dim Ø | a | b | b ₁ | b ₂ | D ₁ | D ₂ | x1 | x2 | g | h±1 | f | c | kg | G |
|-------|------|------|----------------|----------------|----------------|----------------|-----|-----|-----|-----|----|----|-----|------------------|
| 100 | 15,5 | 49,5 | 83 | 53,5 | 101 | 99 | 116 | 132 | 4,8 | 87 | 30 | 8 | 0,6 | G3/8-G1/2-1/2NPT |
| 160 | 15,5 | 49,5 | 83 | 53,5 | 161 | 159 | 178 | 196 | 5,8 | 118 | 50 | 10 | 1,1 | G3/8-G1/2-1/2NPT |